

## High Bay LED Sports Series - 300W

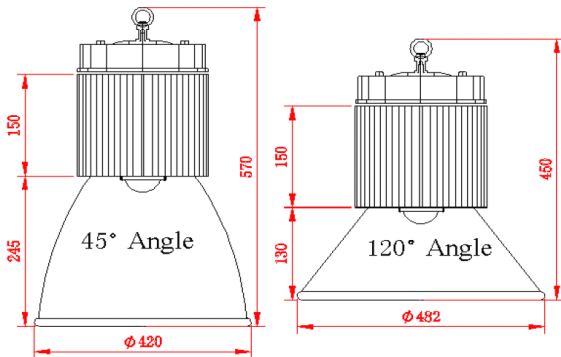
### Lamp Comparison



| Conventional Halide    |                        |
|------------------------|------------------------|
| Bulb                   | 1000 Watt Metal Halide |
| Rated Lifespan         | 20,000 hours           |
| Ballast Rated Lifespan | 20,000 hours           |
| Ballast Consumption    | 10 - 20% More Energy   |
| CRI                    | 65                     |
| Lumen Depreciation     | 20% at 8,000 hrs       |
| Mercury Concentration  | High                   |

| LED Sport Series - 300W |                 |
|-------------------------|-----------------|
| Bulb                    | 300 Watt LED    |
| Rated Lifespan          | 50,000 hours    |
| Ballast Rated Lifespan  | None            |
| Driver Consumption      | 5 Watts         |
| CRI                     | 75 - 87         |
| Lumen Depreciation      | 2% at 8,000 hrs |
| Mercury Concentration   | None            |

| Summary of Data                                  |  |               |           |
|--|--|---------------|-----------|
| Model:   | Sport Series 300w – Premium Plus   |               |           |
| Certifications:                                  | DLC, UL, FCC, PSE, ROHS, CE, IP63  |               |           |
| Consumption:                                     | 305W   |               |           |
| Input Voltage:                                   | 100-277V AC  |               |           |
| Frequency:                                       | 50-60Hz  |               |           |
| Color:   | Warm white   | Neutral white | Daylight  |
| Color Temp:                                      | 3000K  | 4500K         | 6000K     |
| Rated Lumens:                                    | 25,500 lm  | 28,500 lm     | 30,000 lm |
| Efficacy:  | 85 lm/w  | 95 lm/w       | 100 lm/w  |
| CRI:   | 87   | >83           | >75       |
| Power Factor:                                    | >0.95  |               |           |
| Life Time:                                       | >50,000hrs   |               |           |
| Housing Material:                                | Aluminum Alloy, High Grade Plastic   |               |           |
| Beam Angle:                                      | 45° / 90° / 120°   |               |           |
| Operating Temp:                                  | -30°C to 65°C  |               |           |
| Warranty:  | 5 Years  |               |           |
| Dimmable:  | Yes  |               |           |
| Integral High Efficiency Driver and Power Supply |  |               |           |
| Product Features                                 | Lower Energy Cost & Quick Payback<br>Longer Lamp Life & Lower Fixture Cost<br>Instant On<br>Easy to Install<br><b>Better Lighting. Better Games.</b> |               |           |



### Illumination Cone Curve

